



North River Arts Society

Membership Application

annual membership begins February 1

Membership Categories

- Senior \$25
- Full-time Student \$25
- Individual \$30
- Family \$40
- Contributor \$100
- Donor \$150
- Sponsor \$250
- Patron \$500
- Benefactor \$1,000
- Philanthropist \$5,000

_____ name

_____ address

_____ city state zip

_____ phone

_____ email

check enclosed

charge my Mastercard Visa

_____ account #

_____ expiration

U.S. Postage
PAID
Permit #28
Non-Profit
Marshfield Hills, MA

North River Arts Society
157 Old Main St., Box 307
Marshfield Hills, MA 02051
781.837.8091



North River Arts Society

24th Annual

Members Show

2012

CALL FOR ENTRIES

Awards Juror

Alison Collins
Collins Gallery
Orleans, MA

northriverarts@gmail.com

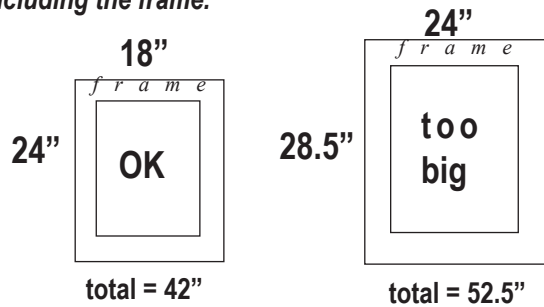
**NORTH RIVER ARTS SOCIETY
24th Annual Members Show
February 17 – 26, 2012**

The North River Arts Society invites you to participate in our 2012 Members Show at the G.A.R. Hall, 157 Old Main Street, Marshfield Hills. *Artists are selected from this show to exhibit their work at future NRAS exhibits at the Ventress Library Gallery in Marshfield and the Dolphin Gallery at the Hingham Public Library. You need not be an award winner to be selected.*

EXHIBIT ENTRY INFORMATION

You must be a member of the North River Arts Society to enter this exhibit. You may join or renew your membership at registration.

IMPORTANT! Due to our large membership, and the size constraints of the gallery, we must strictly enforce a size limit for artwork to be hung on the walls. The total of height (one side) + width (one side) must not exceed **48"** - **including the frame.**



You may enter only **one** piece of work. Acceptable media include: oil, acrylics, watercolor, drawing, pastel, graphics, mixed media, photography and sculpture.

Work must not have been exhibited in any previous NRAS exhibit, or have been the product of an NRAS workshop or class.

Any entry considered offensive or not meeting exhibition criteria may be rejected by the Exhibits Committee at its sole discretion.

Prints (reproduced from original artwork) are not acceptable.

AWARDS

Best of Show	\$100
The Phyllis Howard Award for Floral Composition	\$100
Awards of Excellence (6)	\$50

Honorable Mentions will also be awarded.

The Best of Show award-winning piece will be featured on the postcard for next year's Members Show.

Should the juror determine that there are not sufficient entries in a category, a prize will not be awarded.

Visitors to the exhibit will be asked to cast their vote for Popular Prize. A ribbon will be awarded to the artist receiving the most votes at the conclusion of the exhibit.

Works need not be for sale. The North River Arts Society will receive 30% commission on any artwork sold during, or as a result of this exhibit.

Please visit website for a complete listing of NRAS Exhibit Guidelines: www.northriverarts.org

•••••
OPENING RECEPTION
 • The Members Show Opening Reception
 • takes place on Friday, February 17, 2012
 • from 7:00-10:00 p.m. Awards presentation held at 8:30 p.m.
 • Enjoy *free admission*, hors d'oeuvres
 • and a cash bar.
 •••••

**DELIVERY OF
ARTWORK**

Artwork may be delivered to the G.A.R. Hall on:

**Saturday, February 11
10:00 a.m. – 1:00 p.m.**

and

**Sunday, February 12
1:00 – 3:00 p.m.**

Please be considerate and adhere to these dates and times.

**REGISTRATION FORMS
& MEMBERSHIP APPLICATIONS WILL BE
AVAILABLE AT THE G.A.R. HALL**

Entry fee is \$10.00

Artwork may be picked up at the conclusion of the exhibit on:

**Sunday, February 26
4:00 – 6:00 p.m.**

or

**Tuesday, February 28
7:00 – 9:00 p.m.**

No artwork will be released before the conclusion of the exhibit.

*A storage fee of \$5 per day will be assessed on work not picked up after Feb. 28. Please call the office if you need to make special arrangements.
781.837.8091.*

**VIEWING HOURS FOR THIS EXHIBIT:
Monday – Friday 9:00 a.m. – 12:00 p.m.
Saturday & Sunday 1:00 – 4:00 p.m.**